

MA-47

RS-232 to RS-422/485 Converter



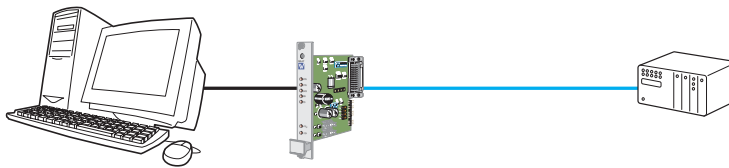
- ❑ Conversion between RS-232 and RS-422/485
- ❑ Communication direction controlled by data flow
- ❑ Galvanic isolation
- ❑ Full termination and failsafe switch selectable
- ❑ Transient suppression
- ❑ Code independent/transparent
- ❑ Ensures communication over long distances and in environments with high levels of interference
- ❑ Reliable performance and function
- ❑ Handles high levels of interference and exposed locations

Field of application

MA-47 is used as an interface converter between RS-232 and RS-422/485 or when point-to-point communication is needed at data rates up to 38.4 kbit/s. The device can communicate on 2-wire or 4-wire cable up to 1200 metres (4000 ft). In multidrop applications the MA-47 supports up to 32 connected devices on the bus. With 2-wire systems the communication direction is controlled from the data flow, i.e. the converter detects the data and switches the communication direction depending from which side the data has been sent. This makes it possible to connect equipment that cannot generate handshaking signals.

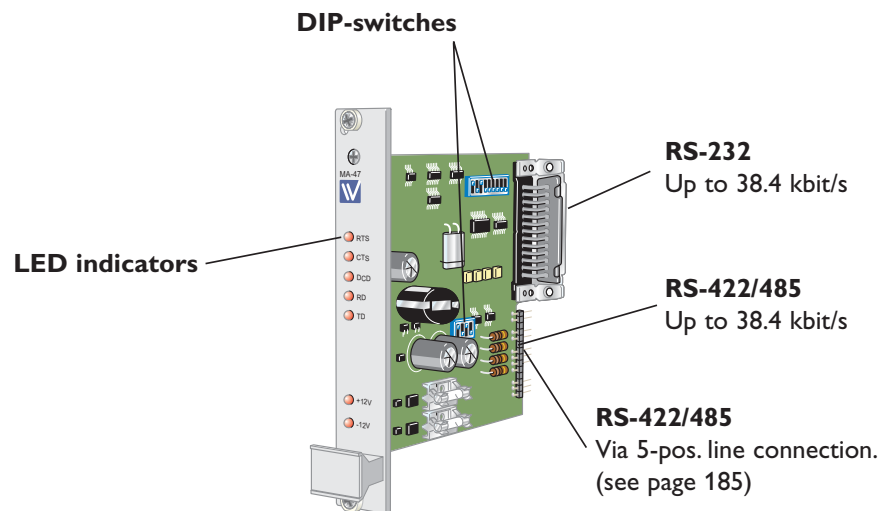
MA-47 is designed for installation in the Westermo rack (RV-01) which saves space when many converters are installed in the same location, for example, in a data processing centre.

Application



Also see application on page 55

Interface



Mechanical

Dimensions (H x D)	100 x 100 mm (3.94 x 3.94 in)
Weight	0.1 kg
Assembly	Rack

NOTE! Only nine MA-47 devices can be powered in an RV-01 with one PS-02.

Power

	RV-01 via PS-02
Rated current	50 mA
Connection	PS-02